


Document Type	Specification		
Model	DOL		
Product Type	Disc	<i>Nintendo of America Inc., Engineering & Quality Control</i>	
Contents	Packaging	Date Issued	
NOA Document Number	DOL-62-0080-001 Rev. F	Code	
Title	DOL Disc Printed Material Specification		
Subject	Reply Card		
Description of Current Revision	<ul style="list-style-type: none"> • Change the X dimension requirement from 0.25 mm to Min 0.25 mm. • Change Quiet Zone requirement from Min 2.5mm to Min 10 times X dimension. 		
Revision History			
Revision	Date	Changes	
A	10/10/01	Transfer from DOL-62-0003-009 Rev A-6/5/01: New Rev B-8/16/01: Changed bar code location dimensions. Changed bar code format (using part number of poster, instead of finished product). Added shipping label requirement. Added folded post card specification	
B	4/12/02	Added tolerances for card dimension Removed folded post card specification Added symbology for case label barcode	
C	5/6/02	Change material from 78# to 95# Change size from 4-1/4" x 6" to 4" x 6"	
D	8/15/02	Change size from 4" x 6" to (3-1/2" to 4") x (4" to 6") to make dimensions coincide with the intersection of USPS (3-1/2" x 3-1/2" MIN to 4-1/4" x 6-1/8" MAX) and Kyoto specifications (1.97" x 3.94" MIN to 4.13" x 7.01" MAX).	
E	10/18/02	Add maximum box weight requirement of 26 lbs to limit weight of incoming boxes for ergonomic issues. Revise barcode location drawing-originally dimensioned from white background border, some parts may not have this border. Change Symbol Grade from B/06/630 to B/06/660.	

NCL DOCUMENT NUMBER		DATE ISSUED	
DISTRIBUTION	Mfg. Engineering	Planning & Procurement	NOCL
	Quality Control	Design	
	Engineering	Licensing	
ORIGINATED	CHECKED	CHECKED	APPROVED
PROPRIETARY INFORMATION			
The drawings, data and descriptions contained hereon and included herewith are the property of Nintendo of America Inc. and Nintendo Co. Ltd. and are to be used by the recipient solely for the express purposes for which the same is furnished. Recipient agrees not to use this information or disclose it to others without the prior written consent of Nintendo of America Inc.			

1.0 Purpose

This specification provides material specifications required to make DOL Disc Reply Card.

2.0 Scope

This specification applies to DOL Disc Reply Card. These are generic material specs, not to be used as artwork specs.

3.0 Specifications

3.1 Unfolded Reply Card

3.1.1 Material

Size (mm) L x W	4" to 6" (101.6 mm to 152.4 mm) x 3-1/2" to 4" (88.9 mm to 101.6 mm) (+/- 0.5 mm)
Stock	95# Topcoat Cover, C2S, dull finish
Binding/Fold	None
Coating	None
Print	1/1 1 color (black)

3.1.2 Barcode

Symbology	Code 39
X Dimension	Min. 0.25 mm
Bar Height	10 mm
Quiet Zone	Min. 10 times X dimension
Format	Last 5 digits of NOA part number of Reply Card + 1 digit revision
	(Example) Reply Card part number: 0042518 Reply Card part revision: A Barcode print: 42518A
Symbol Grade	ANSI X3.182, B/06/660 or higher
Print	Black symbol on white background Human readable characters below symbol

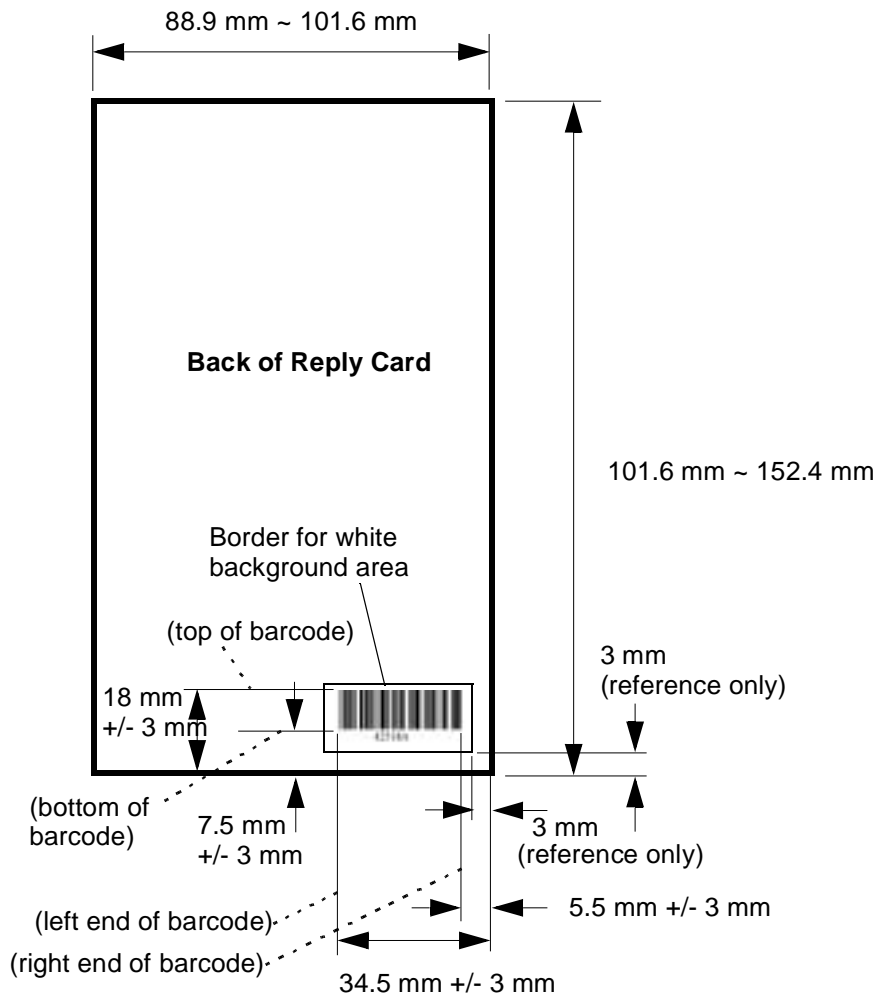
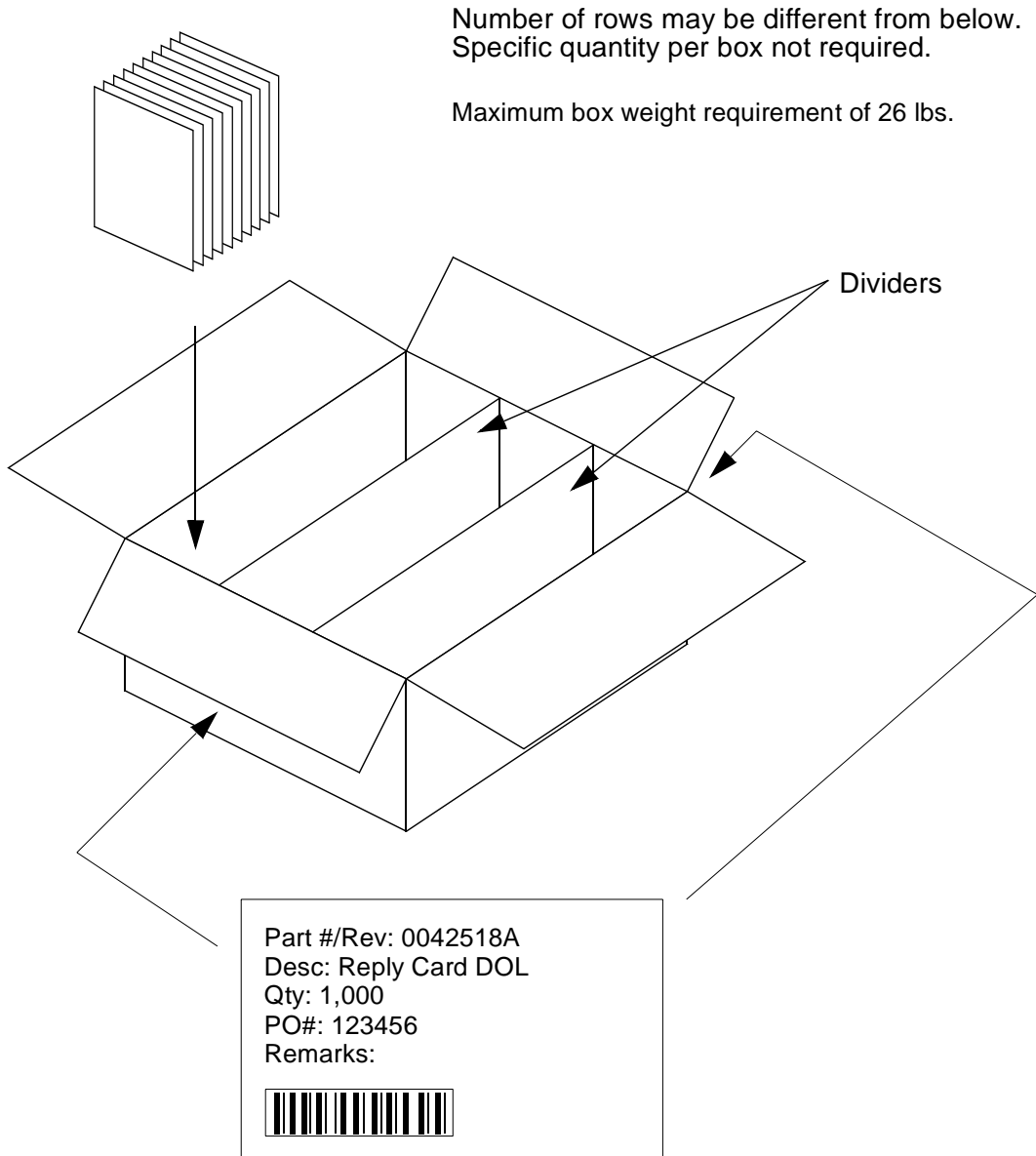


Figure 1 Barcode Location

3.2 Packaging



Number of rows may be different from below.
Specific quantity per box not required.

Maximum box weight requirement of 26 lbs.

Two shipping labels (minimum 3" x 5")
containing the following information shall be
applied at the both ends of shipping cases.

- NOA Part #/Revision
- Description
- Quantity
- NOA PO Number
- Remarks (specify if a case contain partial quantity and any other remarks)
- Barcode (NOA Part #/Revision), Symbology: Code 39

Figure 2 Packaging Diagram