


Document Type	Specification		
Model	DOL		
Product Type	Disc	<i>Nintendo of America Inc., Engineering & Quality Control</i>	
Contents	Packaging	Date Issued	
NOA Document Number	DOL-62-0076-001 Rev. C	Code	
Title	DOL Game Pak Printed Material Specification		
Subject	Coupon		
Description of Current Revision	<ul style="list-style-type: none"> • Change the X dimension requirement from 0.25 mm to Min 0.25 mm. • Change part from single sheet to bi-fold. 		
Revision History			
Revision	Date	Changes	
A	10/10/01	Transfer from DOL-62-0003-005 Rev A-5/29/01: New Rev B-6/5/01: Changed stock and added print requirement. Rev C-8/16/01: Changed bar code requirements. Changed bar code location dimensions. Added shipping label requirement Rev D-9/5/01: Changed Stock from 70# Gloss Book to 100# Gloss Book in Section 3.1.	
B	10/18/02	Add maximum box weight requirement of 26 lbs to limit weight of incoming boxes for ergonomic issues. Revise barcode location drawing-originally dimensioned from white background border, some parts may not have this border. Change Symbol Grade from B/03/630 to B/06/660.	

NCL DOCUMENT NUMBER		DATE ISSUED	
DISTRIBUTION	Mfg. Engineering	Planning & Procurement	NOCL
	Quality Control	Design	
	Engineering	Licensing	
ORIGINATED	CHECKED	CHECKED	APPROVED
PROPRIETARY INFORMATION The drawings, data and descriptions contained hereon and included herewith are the property of Nintendo of America Inc. and Nintendo Co. Ltd. and are to be used by the recipient solely for the express purposes for which the same is furnished. Recipient agrees not to use this information or disclose it to others without the prior written consent of Nintendo of America Inc.			

1.0 Purpose

This specification provides material specifications required to make DOL Game Pak Coupons.

2.0 Scope

This specification applies to DOL Game Pak Coupons. These are generic material specs, not to be used as artwork specs.

3.0 Specifications**3.1 Material**

Folded Size (mm) L x W Sheet Size (mm) L x W	156 x 90 +/- 2mm 156 x 180 +/- 1mm
Stock	100# Gloss Book
Binding/Fold	Bi-fold with perforation
Coating	Gloss Aqueous
Print	4/4 4CP

3.2 Barcode

Symbology	Code 39
X Dimension	Min. 0.25 mm
Bar Height	10 mm
Quiet Zone	Min. 2.5 mm
Wide-to-Narrow Ratio	2.5
Format	Last 5 digits of NOA part number of coupon + 1 digit revision
	(Example) Coupon part number: 0042518 Coupon part revision: A Barcode print: 42518A
Symbol Grade	ANSI X3.182, B/06/660 or higher
Print	Black symbol on white background

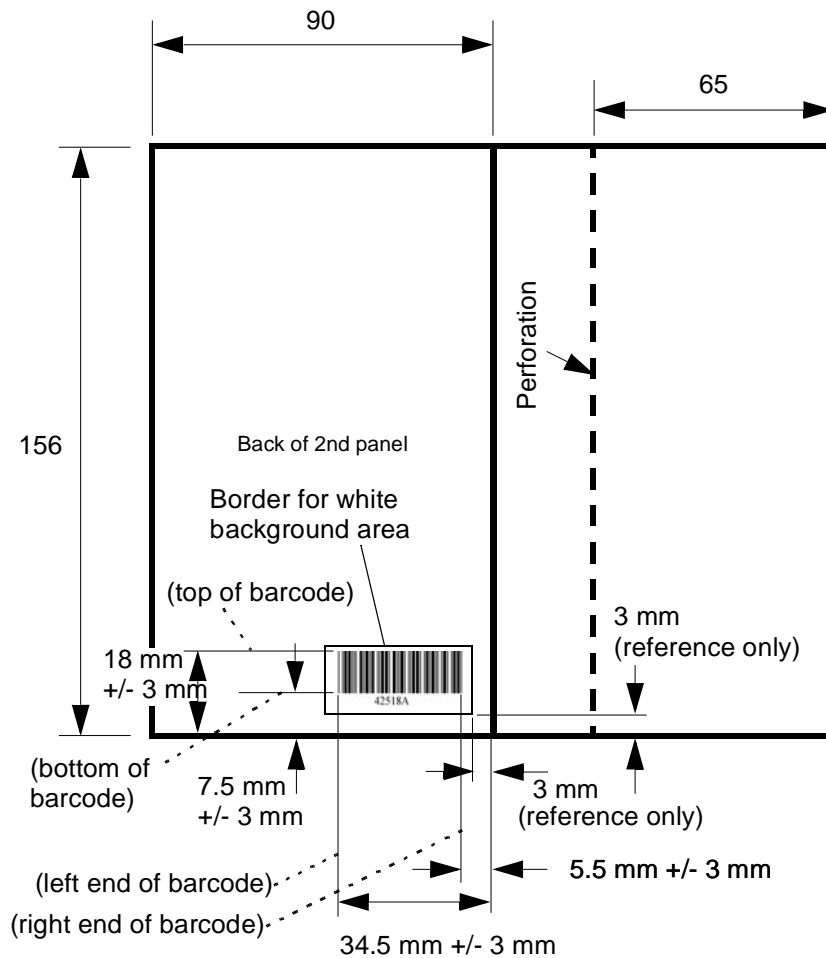
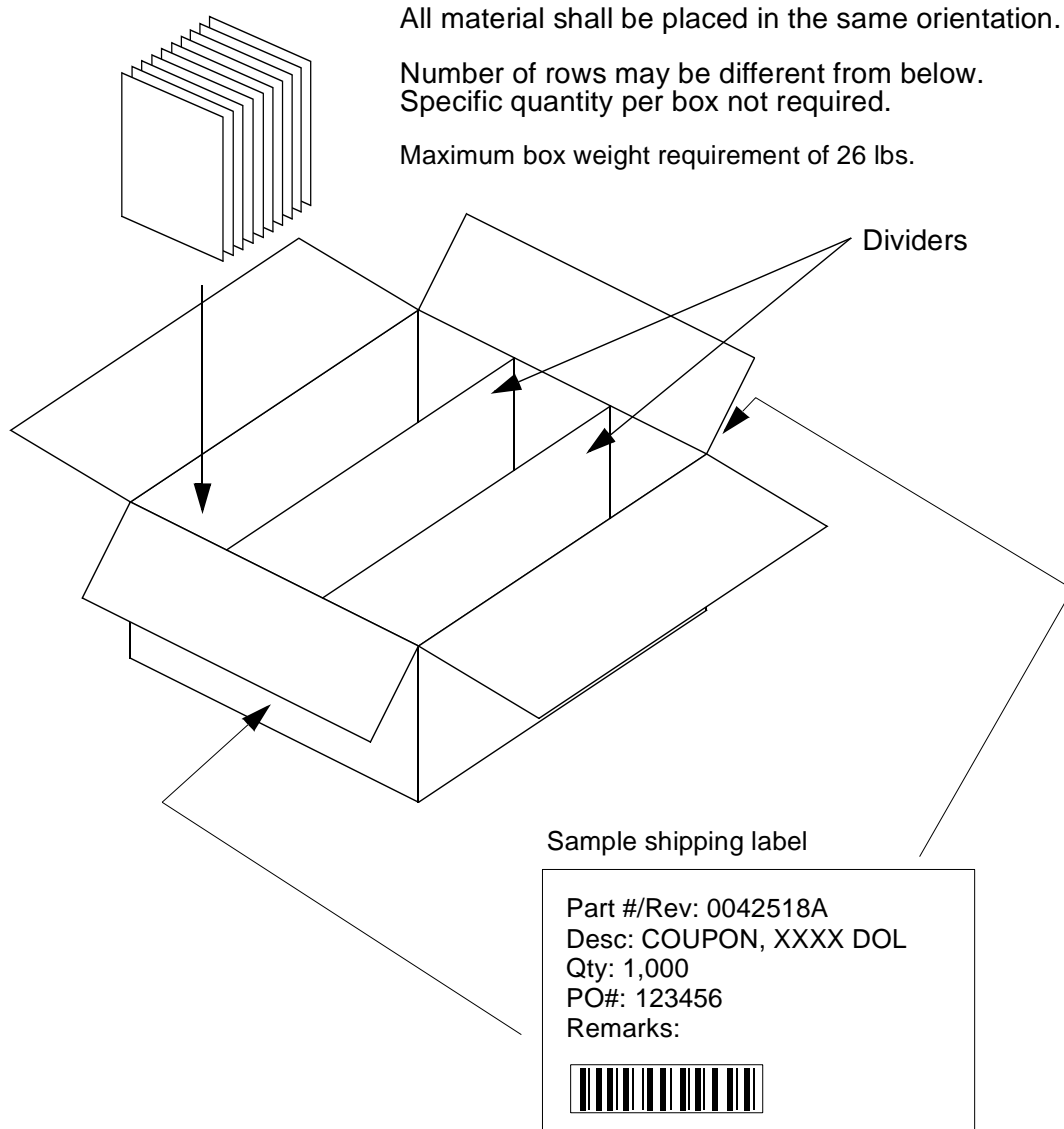


Figure 1 Barcode Location

3.3 Packaging



All material shall be placed in the same orientation.

Number of rows may be different from below.
Specific quantity per box not required.

Maximum box weight requirement of 26 lbs.

Dividers

Sample shipping label

Two shipping labels (minimum 3" x 5")
containing the following information shall be
applied at the both ends of shipping cases.

- NOA Part #/Revision
- Description
- Quantity
- NOA PO Number
- Remarks (specify if a case contain partial quantity and any other remarks)
- Barcode (NOA Part # and Revision),
Symbology: Code 39

Figure 2 Packaging Diagram