


Document Type	Specification		
Model	DOL		
Product Type	Disc	<i>Nintendo of America Inc., Engineering & Quality Control</i>	
Contents	Packaging	Date Issued	
NOA Document Number	DOL-62-0079-001 Rev. C	Code	
Title	DOL Disc Printed Material Specification		
Subject	Poster		
Description of Current Revision	<ul style="list-style-type: none"> • Change the X dimension requirement from 0.25 mm to Min 0.25 mm. • Change Quiet Zone requirement from Min 2.5mm to Min 10 times X dimension. 		
Revision History			
Revision	Date	Changes	
A	10/10/01	Transfer from DOL-62-0003-008 Rev A-6/5/01: New Rev B-8/16/01: Changed bar code location dimensions. Changed bar code format (using part number of poster, instead of finished product). Added shipping label requirement	
B	10/18/02	Add maximum box weight requirement of 26 lbs to limit weight of incoming boxes for ergonomic issues. Revise barcode location drawing-originally dimensioned from white background border, some parts may not have this border. Change Symbol Grade from B/06/630 to B/06/660.	

NCL DOCUMENT NUMBER		DATE ISSUED	
DISTRIBUTION	Mfg. Engineering	Planning & Procurement	NOCL
	Quality Control	Design	
	Engineering	Licensing	
ORIGINATED	CHECKED	CHECKED	APPROVED
PROPRIETARY INFORMATION			
The drawings, data and descriptions contained hereon and included herewith are the property of Nintendo of America Inc. and Nintendo Co. Ltd. and are to be used by the recipient solely for the express purposes for which the same is furnished. Recipient agrees not to use this information or disclose it to others without the prior written consent of Nintendo of America Inc.			

1.0 Purpose

This specification provides material specifications required to make DOL Disc Poster.

2.0 Scope

This specification applies to DOL Disc Poster. These are generic material specs, not to be used as artwork specs.

3.0 Specifications

3.1 Material

Folded Size (mm) L x W	178 x 105 +/- 2mm
Sheet Size (mm) L x W	356 x 210 +/- 1mm
Stock	80# Gloss Book
Binding/Fold	Folded (see Figure 1 for folding order)
Coating	Gloss Aqueous
Print	4/4 4C

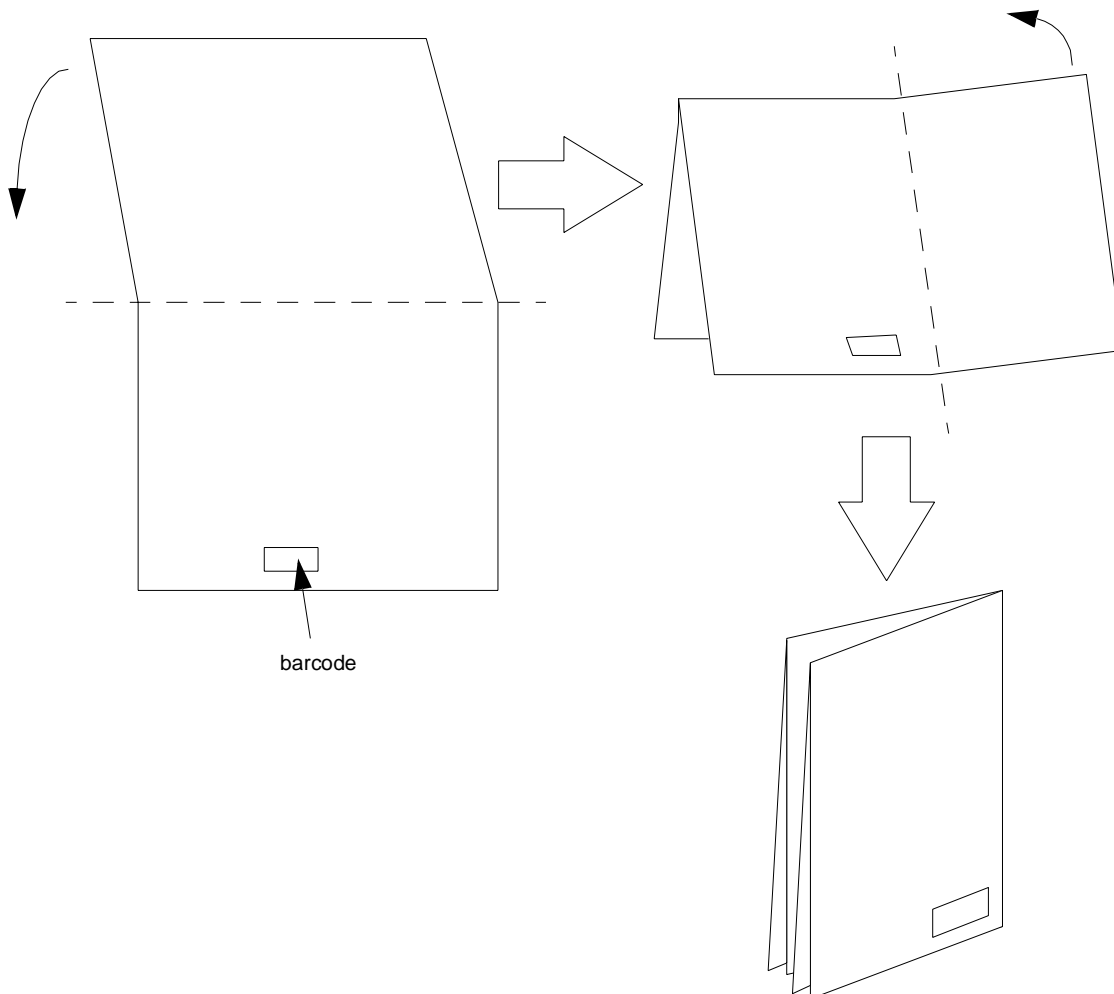


Figure 1 Folding Diagram

3.2 Barcode

Symbology	Code 39
X Dimension	Min. 0.25 mm
Bar Height	10 mm
Quiet Zone	Min. 10 times X dimension
Format	Last 5 digits of NOA part number of poster + 1 digit revision
	(Example) Poster part number: 0042518 Poster part revision: A Barcode print: 42518A
Symbol Grade	ANSI X3.182, B/06/660 or higher
Print	Black symbol on white background Human readable characters below symbol

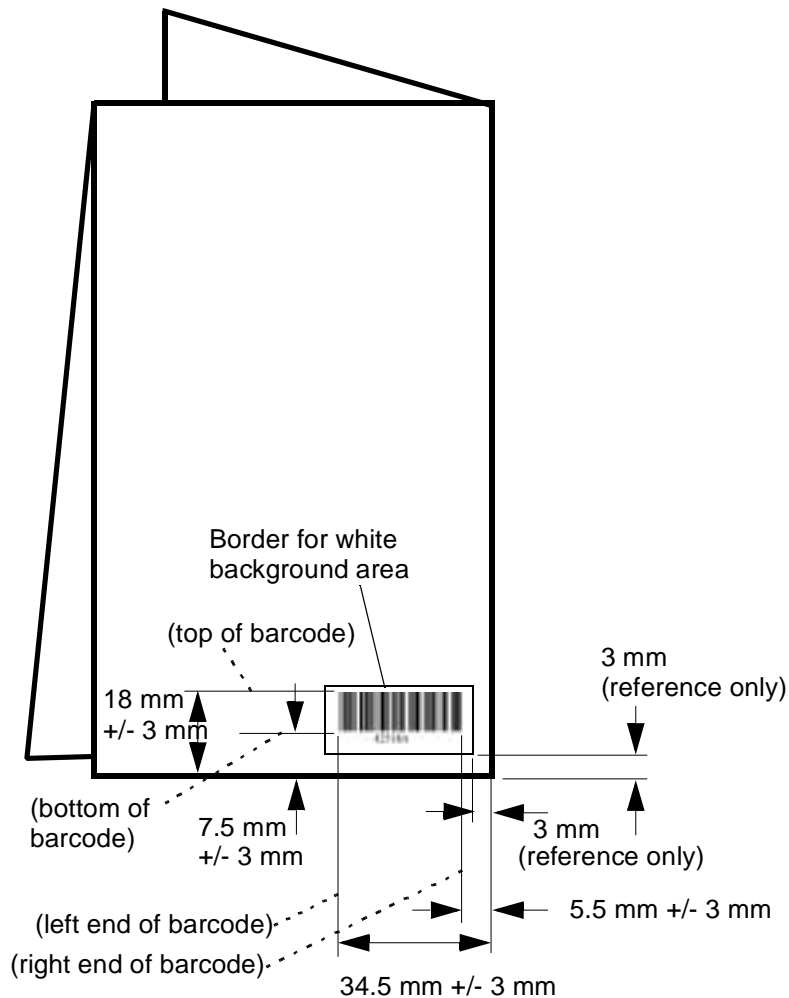


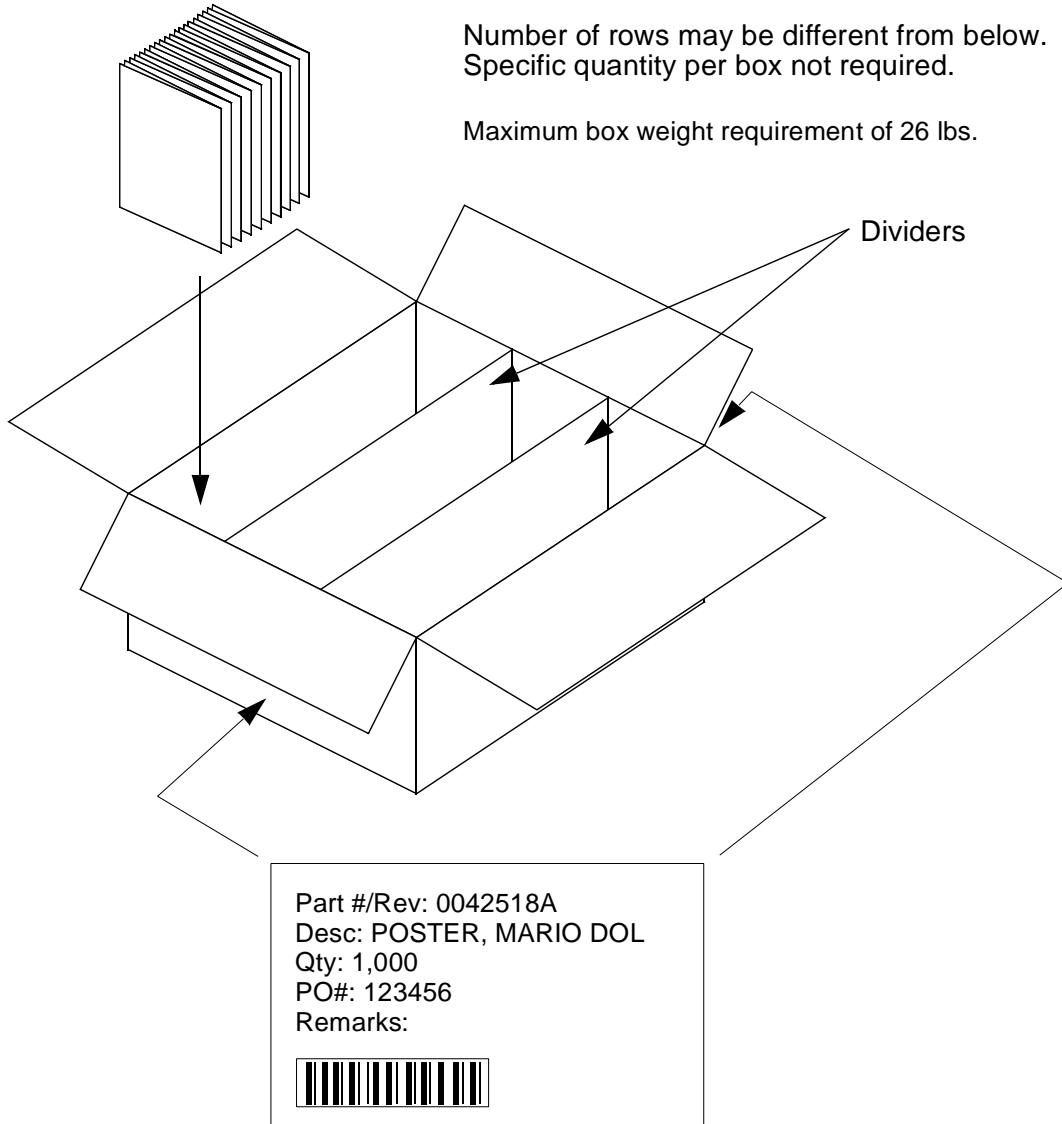
Figure 2 Barcode Location

3.3 Packaging

Alternate left/right orientation every 20 posters.

Number of rows may be different from below.
Specific quantity per box not required.

Maximum box weight requirement of 26 lbs.



Two shipping labels (minimum 3" x 5")
containing the following information shall be
applied at the both ends of shipping cases.

- NOA Part #/Revision
- Description
- Quantity
- NOA PO Number
- Remarks (specify if a case contain partial quantity and any other remarks)
- Barcode (NOA Part #/Revision), Symbology/
Size: TBD