


Document Type	Specification		
Model	DOL		
Product Type	Disc	<i>Nintendo of America Inc., Engineering & Quality Control</i>	
Contents	Packaging	Date Issued	
NOA Document Number	DOL-62-0075-001 Rev. C	Code	
Title	DOL Game Pak Printed Material Specification		
Subject	Precaution Booklet		
Description of Current Revision	<ul style="list-style-type: none"> • Change the X dimension requirement from 0.25 mm to Min 0.25 mm. • Change Quiet Zone requirement from Min 2.5mm to Min 10 times X dimension. 		
Revision History			
Revision	Date	Changes	
A	10/10/01	Transfer from DOL-62-0003-004 Rev A-5/29/01: New Rev B-6/5/01: Changed coating requirement Rev C-8/16/01: Added sheet size. Corrected bar code format (use precaution booklet part number). Changed bar code location dimensions. Added shipping label requirement Rev D-9/11/01: Added tolerance to paper dimensions	
B	10/18/02	Add maximum box weight requirement of 26 lbs to limit weight of incoming boxes for ergonomic issues. Revise barcode location drawing-originally dimensioned from white background border, some parts may not have this border. Change Symbol Grade from B/03/630 to B/06/660.	

NCL DOCUMENT NUMBER		DATE ISSUED	
DISTRIBUTION	Mfg. Engineering	Planning & Procurement	NOCL
	Quality Control	Design	
	Engineering	Licensing	
ORIGINATED	CHECKED	CHECKED	APPROVED
PROPRIETARY INFORMATION The drawings, data and descriptions contained hereon and included herewith are the property of Nintendo of America Inc. and Nintendo Co. Ltd. and are to be used by the recipient solely for the express purposes for which the same is furnished. Recipient agrees not to use this information or disclose it to others without the prior written consent of Nintendo of America Inc.			

1.0 Purpose

This specification provides material specifications required to make DOL Game Pak Precaution Booklet.

2.0 Scope

This specification applies to DOL Game Pak Precaution Booklet. These are generic material specs, not to be used as artwork specs.

3.0 Specifications

3.1 Material

Folded Size (mm) L x W Sheet Size (mm) L x W	178 x 105 (+/- 2mm) 178 x 514 (+/- 0.5mm)
Stock	60# Gloss Book
Binding/Fold	Roll fold, 5 panels
Coating	No coating
Print	1/1 1 color (black)

3.2 Barcode

Symbology	Code 39
X Dimension	Min. 0.25 mm
Bar Height	10 mm
Quiet Zone	Min. 10 times X dimension
Wide-to-Narrow Ratio	2.5
Format	Last 5 digits of NOA part number of pre-caution booklet + 1 digit revision
	(Example) Precaution booklet part number: 0042518 Precaution booklet part revision: A Barcode print: 42518A
Symbol Grade	ANSI X3.182, B/06/660 or higher
Print	Black symbol on white background

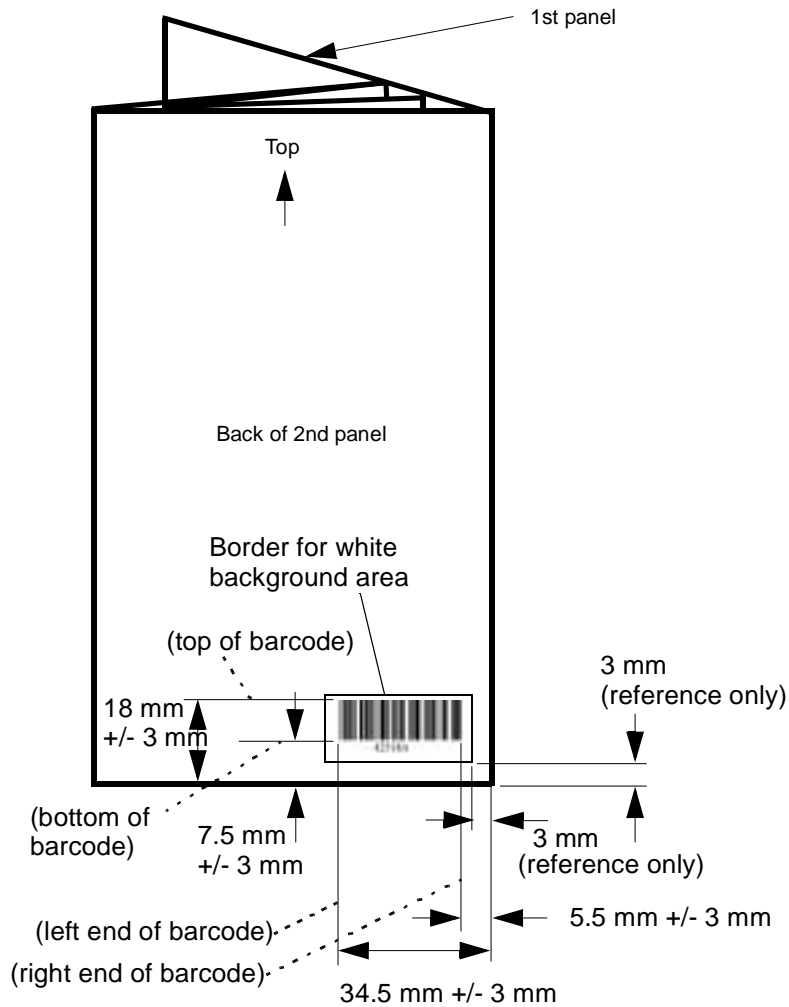
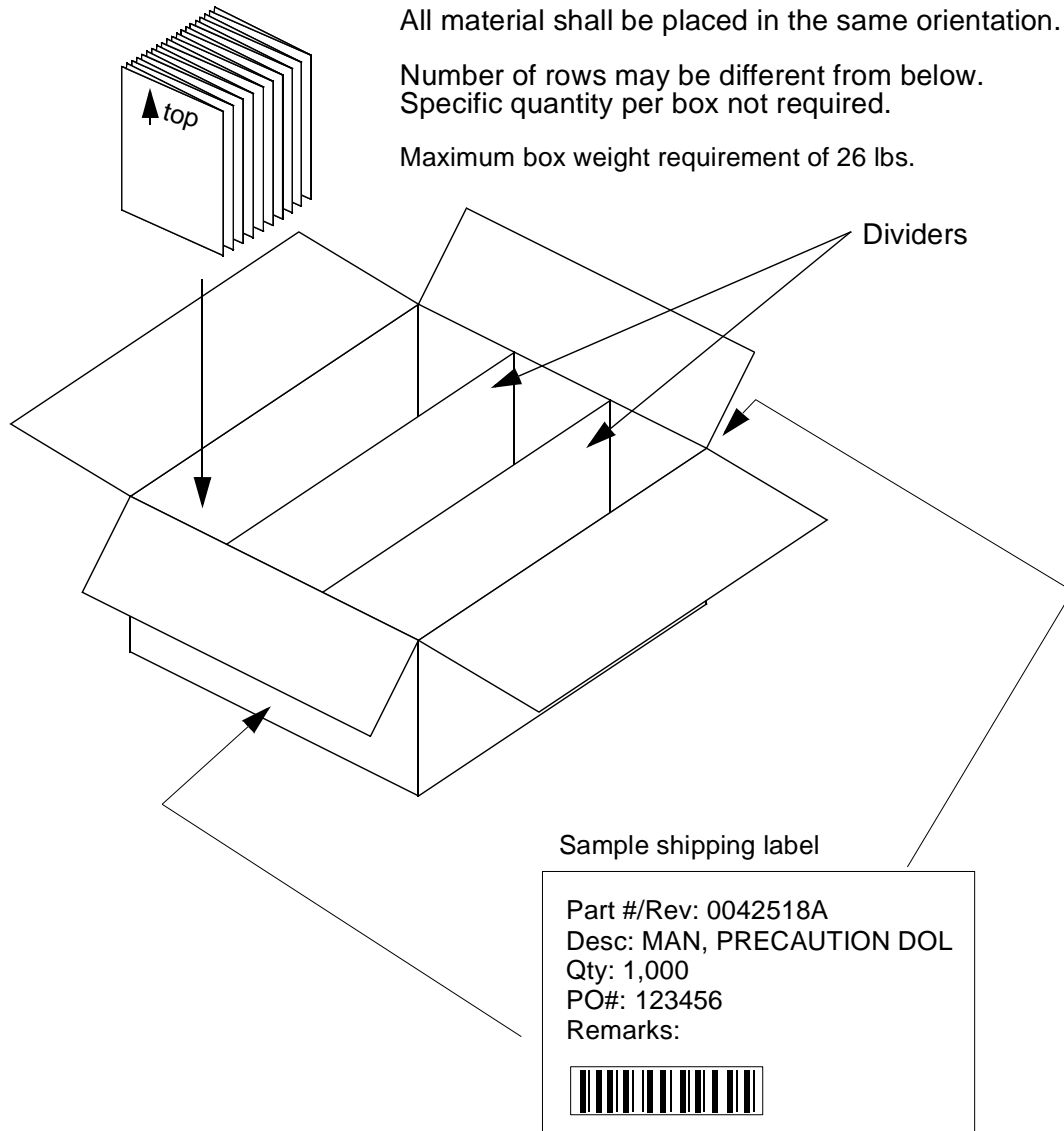


Figure 1 Barcode Location

3.3 Packaging



All material shall be placed in the same orientation.

Number of rows may be different from below.
Specific quantity per box not required.

Maximum box weight requirement of 26 lbs.

Dividers

Sample shipping label

Part #/Rev: 0042518A
Desc: MAN, PRECAUTION DOL
Qty: 1,000
PO#: 123456
Remarks:



Two shipping labels (minimum 3" x 5")
containing the following information shall be
applied at the both ends of shipping cases.

- NOA Part #/Revision
- Description
- Quantity
- NOA PO Number
- Remarks (specify if a case contain partial quantity and any other remarks)
- Barcode (NOA Part # and Revision),
Symbology: Code 39

Figure 2 Packaging Diagram